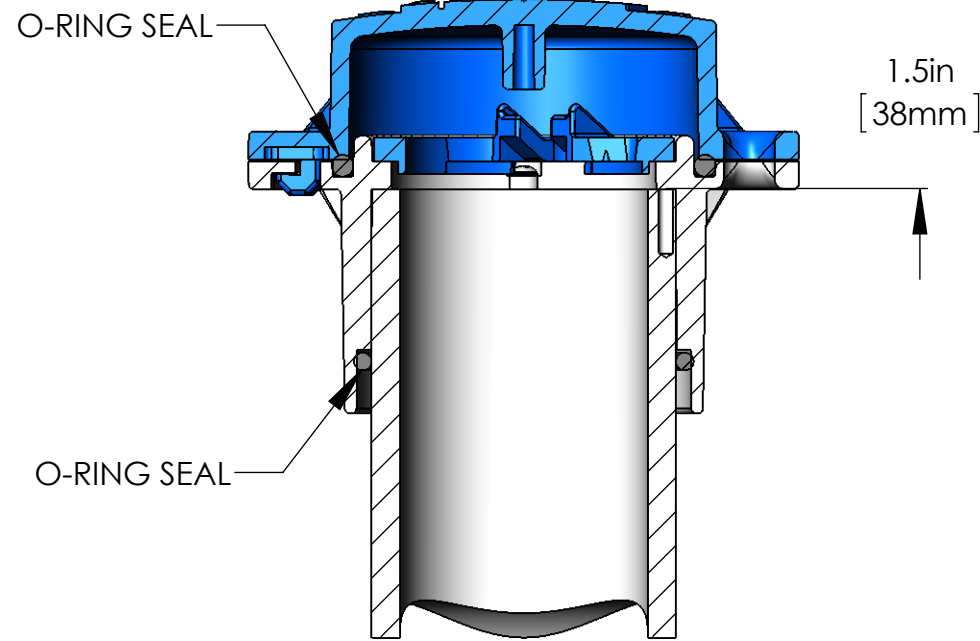
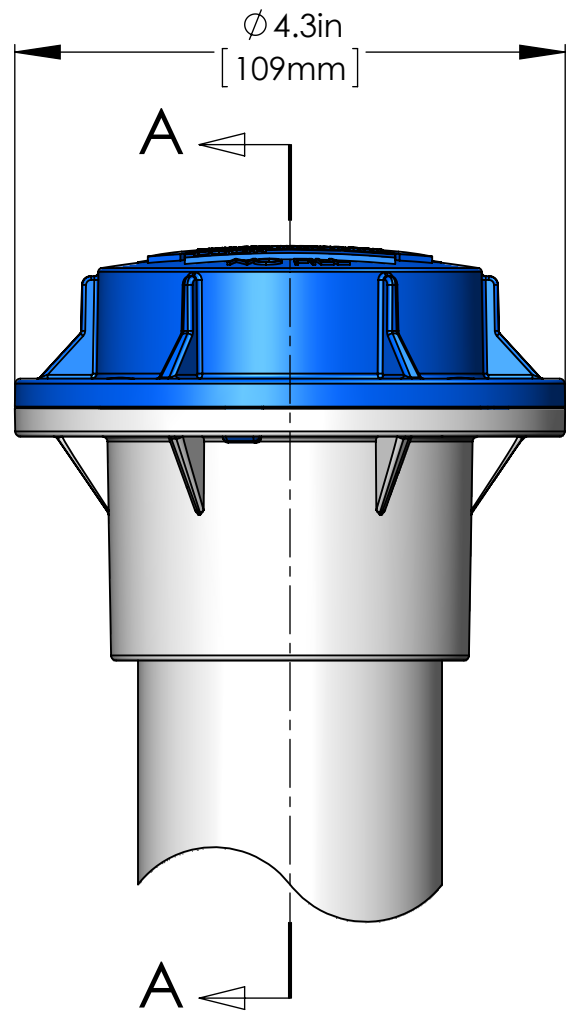
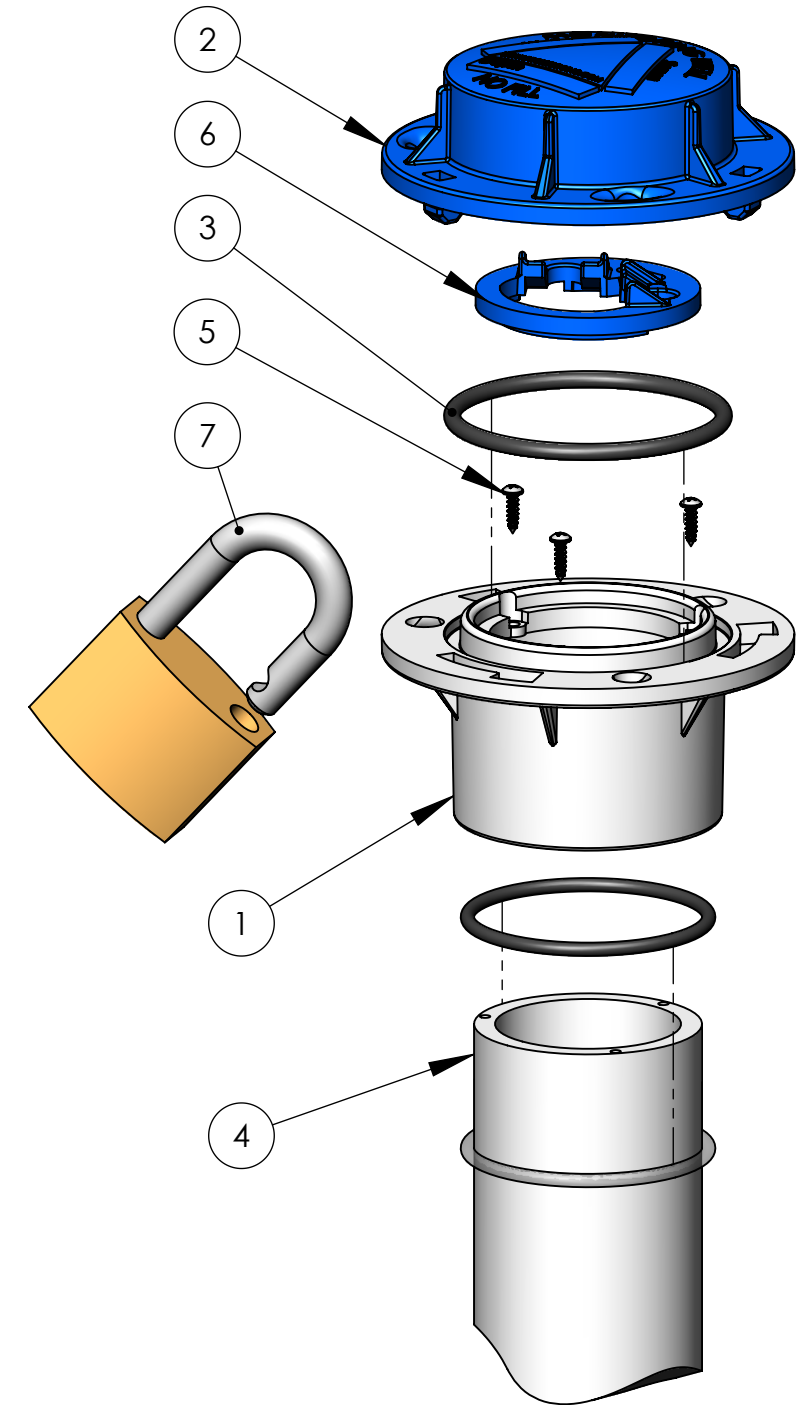
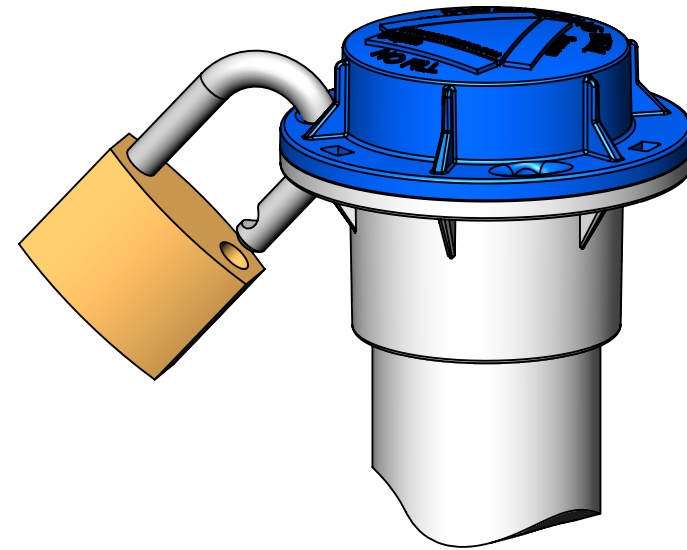


ITEM NO.	DESCRIPTION	QTY.
1	2" WELL DOCK BASE	1
2	2" WELL DOCK CAP	1
3	VITON O-RING	2
4	2" WELL RISER PIPE	1
5	410 SS SCREW (MAGNETIC)	3
6	2" WELL DOCK EQUIPMENT SUPPORT RING	1
7	PADLOCK (EXAMPLE; NOT INCLUDED)	1



SECTION A-A
SCALE 1 : 1.5

UNLESS OTHERWISE SPECIFIED:
DIMENSIONS ARE IN INCHES
TOLERANCES:
FRACTIONAL: ± 1/16
ANGULAR: 1°
TWO PLACE DECIMAL ± 0.01
THREE PLACE DECIMAL ± 0.005
INTERPRET GEOMETRIC
TOLERANCING PER:
ASME Y14.5-2009

DRAWN	NAME	DATE
	MAB	01/02/13
CHECKED		
ENG APPR.		
MFG APPR.		
Q.A.		
COMMENTS:	1in [25.4mm]	
DO NOT SCALE DRAWING		

<i>ProHydro, Inc.</i>		
<small>MADE IN THE USA 585-385-0023 www.prohydro.com</small>		
TITLE: 2" WELL CAP ASSEMBLY		
SIZE	PART NO.	REV
B		
SCALE: 1:2	WEIGHT:	SHEET 1 OF 2

PROPRIETARY AND CONFIDENTIAL
THE INFORMATION CONTAINED IN THIS DRAWING IS THE SOLE PROPERTY OF PROHYDRO INC. ANY REPRODUCTION IN PART OR AS A WHOLE WITHOUT THE WRITTEN PERMISSION OF PROHYDRO INC. IS PROHIBITED.